



## Protein skimmer user manual

Product's name: Internal type protein skimmer CURVE 5  
Valid aquarium: 300-500 L  
Pump model: BUBBLE-MAGUS ROCK SP1000

Thank you for using BUBBLE - MAGUS products, please read User manual carefully before use.

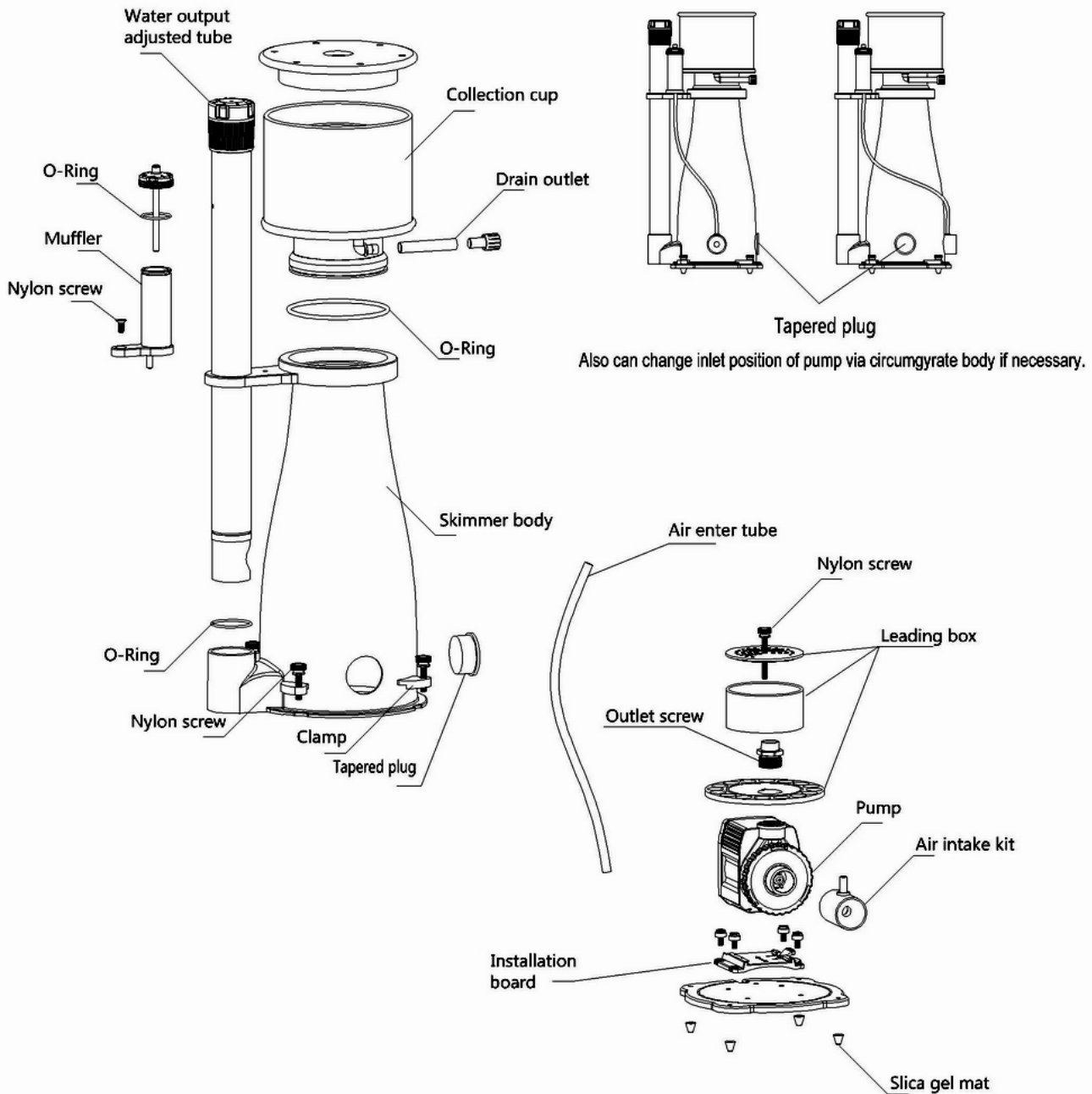
Contain: A suit of collection cup, a suit of skimmer body, a suit of leading box, a suit of drain water system, one SP 1000 water pump, one air intake tube, one air intake kit & user manual.

### Installation:

1. Leading box: Please fix bottom board of leading box to water pump by outlet screw, keep central hole of leading box in line with pump centre, then install leading box to bottom board by long Nylon screw. (Notice: the part without hole of leading box's cover should be in line with pump's outlet).
2. Install water pump: Please loosen the bottom board screw and open clamp, and then lift it up apart body from bottom board. Insert water pump with leading box to installation board.
3. Put skimmer body on bottom board, revolve tightly screw of bottom board. Insert air intake kit to pump's inlet, air inlet up, insert air intake tube into air entered hole of air intake kit, other end connect to muffler.
4. Put collection cup on collection neck of skimmer body.
5. After Installation put it into water, insert pump's plug in the socket, adjust water output tube to control bubble's height, thus it can be used.

### Notice:

1. Please make sure full water in the water pump before start it, **Prohibit pump operate without water.**
2. If installation is correct, it should appear much bubble quickly when pump start up. If no bubble or pump makes a noise or strenuous shake, please stop and restart up. If it can't solve the problem, please contact dealer or our technology person.
3. Every product tested before leaving factory, so some water blob maybe leave on it. It's not used vestige and wouldn't affect use.
4. Just start to use a few days its result maybe is no very good, this is a normal phenomenon. After a few days it can be normal working, if washing completely skimmer inside, this time will be reduced.
5. Please adjust bubble level according to aquaria's pollute. Don't adjust water level too high avoid water quality fluctuate cause much water effused.
6. Please wash collection cup at the fixed date, if sludge heaped inside the collection neck it will affect used result. Suggest cleaning skimmer body and pump every one or two month, don't use chemical to clean protein skimmer.
7. Suggest water level for exterior of protein skimmer around 25~27cm.



**CURVE 5/7/9** Installation sketch map

Product will be improved continuously, please understand the technical change isn't noticed.  
 Inquire product information please visit our web site: [www.bubble-magus.com](http://www.bubble-magus.com)